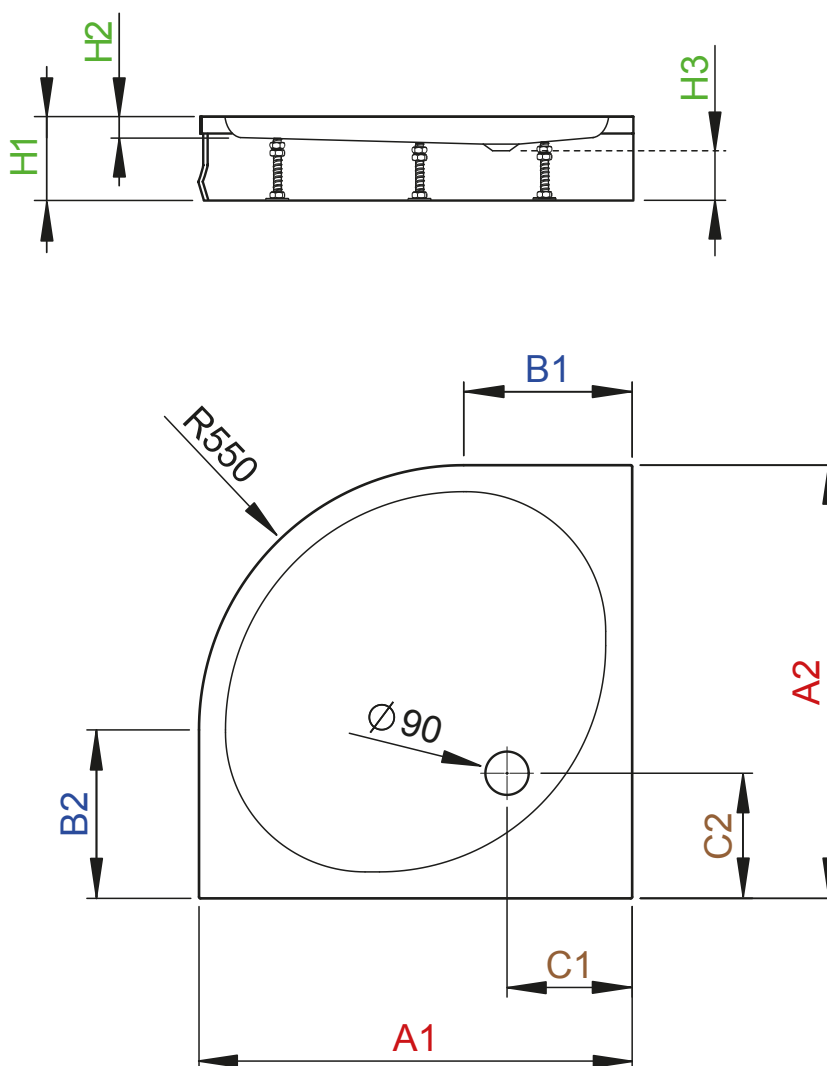


# PATMOS A



PATMOS A	A1	A2	B1	B2	C1	C2	H1	H2	H3
<i>800x800</i>	800	800	250	250	220	220	160	45	95
<i>900x900</i>	900	900	350	350	260	260	160	45	95
<i>1000x1000</i>	1000	1000	450	450	260	260	160	45	95

# ST620

