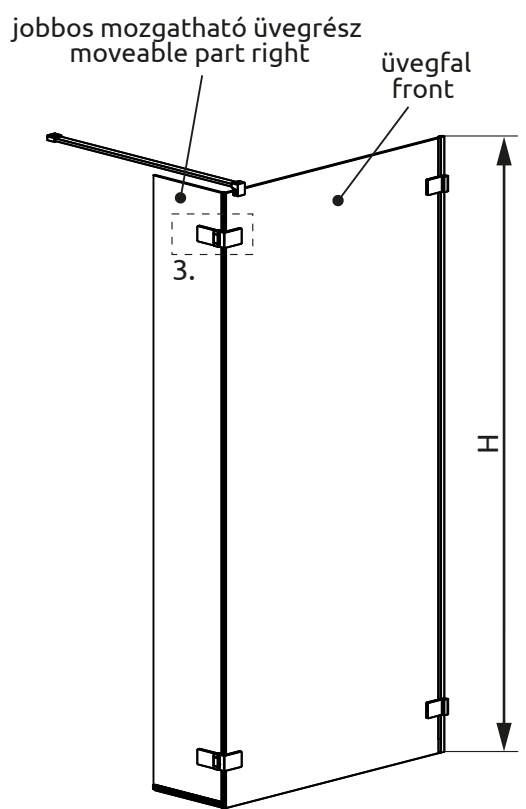
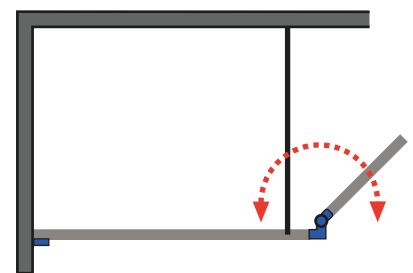
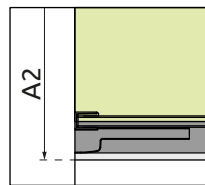
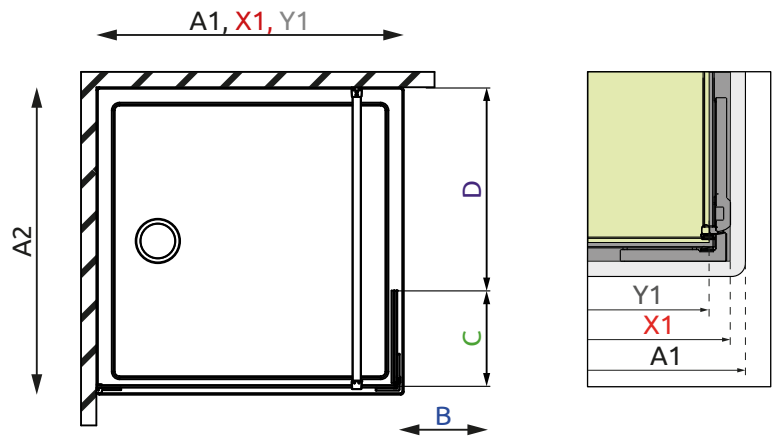


Balos kabin
Variant L



Jobbos kabin
Variant R



**MOZGATHATÓ ÜVEGRÉSZ /
MOVEABLE PART**

Modell	B	C	D
SB/MP	391	400	max. 1090

FRONT/ FRONT

Modell	A1	A2	X1	Y1	H
Front 80	800	max. 1500	786-796	773-783	2000
Front 90	900	max. 1500	886-896	873-883	2000
Front 100	1000	max. 1500	986-996	973-983	2000
Front 110	1100	max. 1500	1086-1096	1073-1083	2000
Front 120	1200	max. 1500	1186-1196	1173-1183	2000
Front 130	1300	max. 1500	1286-1296	1273-1283	2000
Front 140	1400	max. 1500	1386-1396	1373-1383	2000