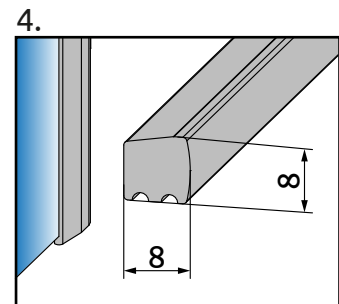
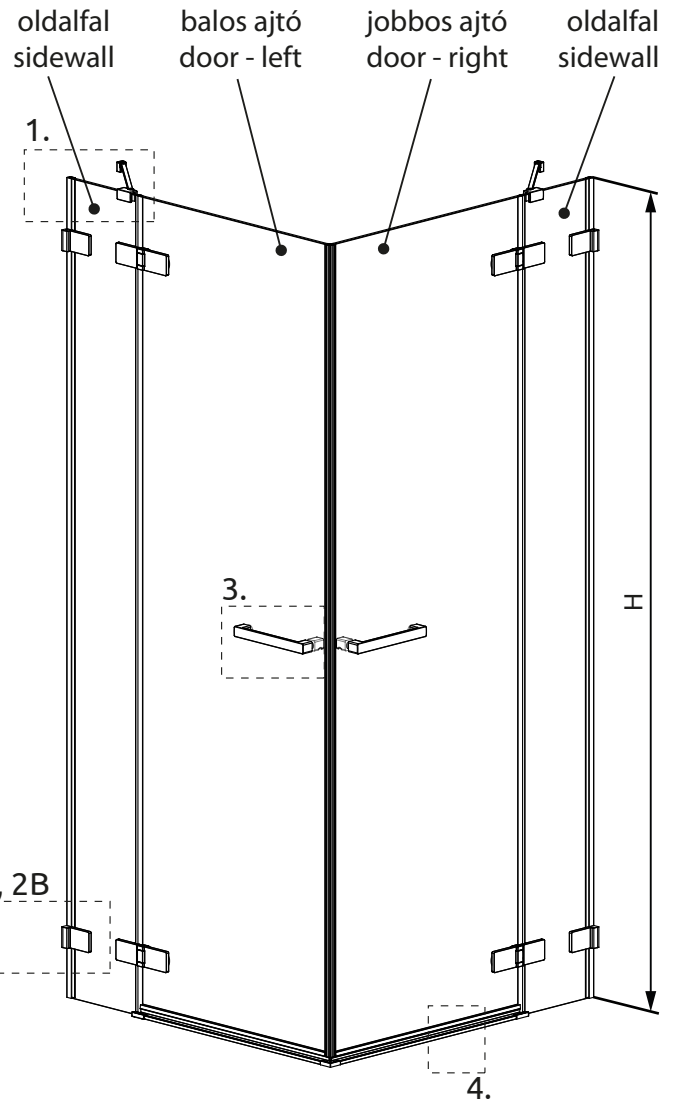
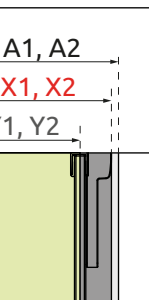
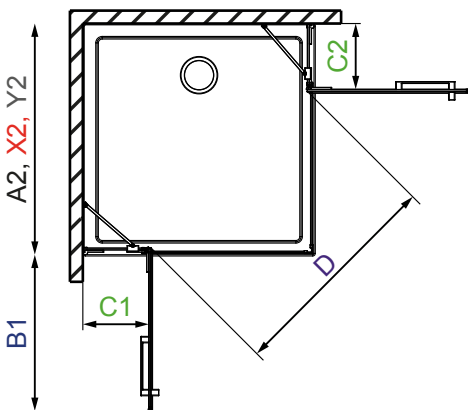


A1, X1, Y1 B2



| Modell           | A1   | A2   | X1       | X2       | Y1      | Y2      | B1  | B2  | C1      | C2      | D   | H    |
|------------------|------|------|----------|----------|---------|---------|-----|-----|---------|---------|-----|------|
| KDD II 80Lx80R   | 800  | 800  | 795-805  | 795-805  | 773-783 | 773-783 | 520 | 520 | 256-266 | 256-266 | 715 | 2000 |
| KDD II 80Lx90R   | 800  | 900  | 795-805  | 895-905  | 773-783 | 873-883 | 520 | 620 | 256-266 | 256-266 | 790 | 2000 |
| KDD II 80Lx100R  | 800  | 1000 | 795-805  | 995-1005 | 773-783 | 973-983 | 520 | 620 | 256-266 | 356-366 | 790 | 2000 |
| KDD II 90Lx80R   | 900  | 800  | 895-905  | 795-805  | 873-883 | 773-783 | 620 | 520 | 256-266 | 256-266 | 790 | 2000 |
| KDD II 90Lx90R   | 900  | 900  | 895-905  | 895-905  | 873-883 | 873-883 | 620 | 620 | 256-266 | 256-266 | 855 | 2000 |
| KDD II 90Lx100R  | 900  | 1000 | 895-905  | 995-1005 | 873-883 | 973-983 | 620 | 620 | 256-266 | 356-366 | 855 | 2000 |
| KDD II 100Lx80R  | 1000 | 800  | 995-1005 | 795-805  | 973-983 | 773-783 | 620 | 520 | 356-366 | 256-266 | 790 | 2000 |
| KDD II 100Lx90R  | 1000 | 900  | 995-1005 | 895-905  | 973-983 | 873-883 | 620 | 620 | 356-366 | 256-266 | 855 | 2000 |
| KDD II 100Lx100R | 1000 | 1000 | 995-1005 | 995-1005 | 973-983 | 973-983 | 620 | 620 | 356-366 | 356-366 | 855 | 2000 |